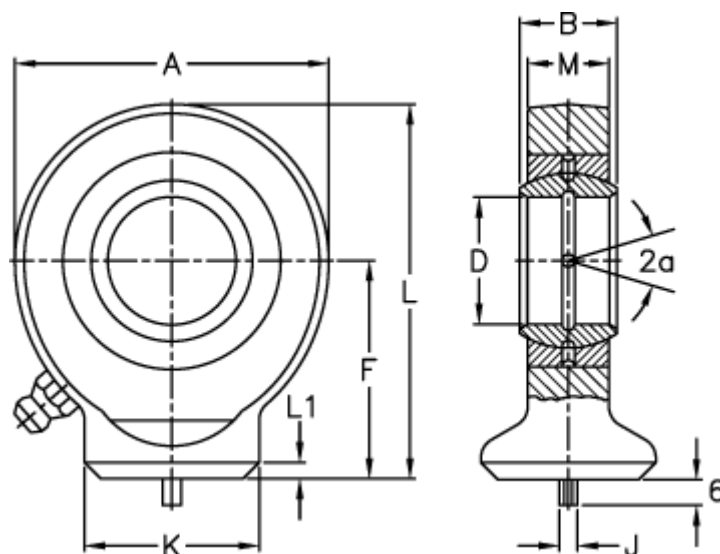


Article number: 03555045

Description: Fluro hydraulic rod end FS 45C

Measures



A	= 102	L	= 128
a (degrees)	= 7	L1	= 5
B	= 32	M	= 27
D	= 45	Static load C0 (kN)	= 208
Dynamic load C (kN)	= 127	Weight	= 1910
F	= 77		
J	= 6		
K	= 58		